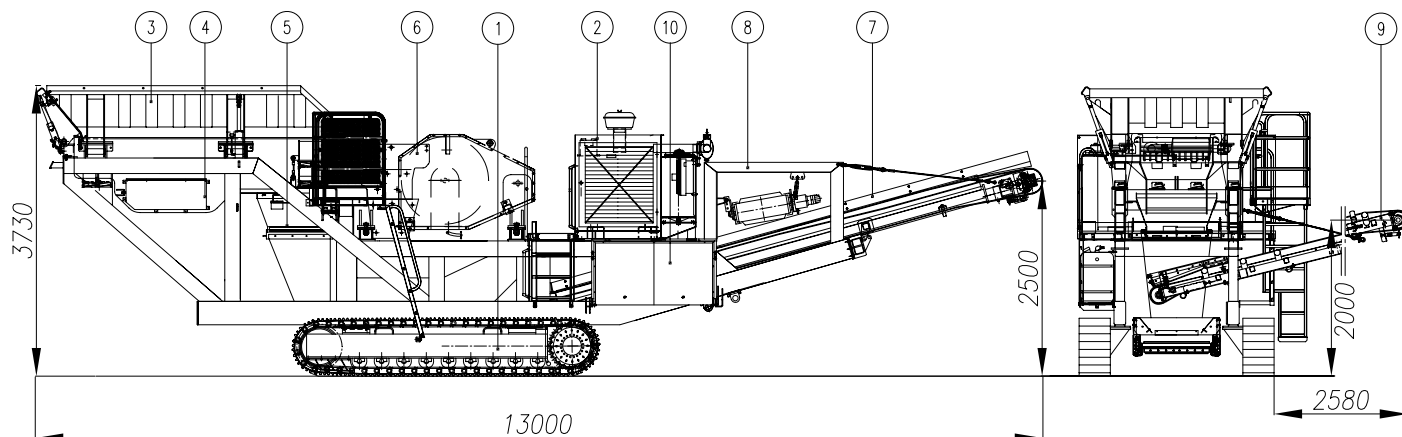
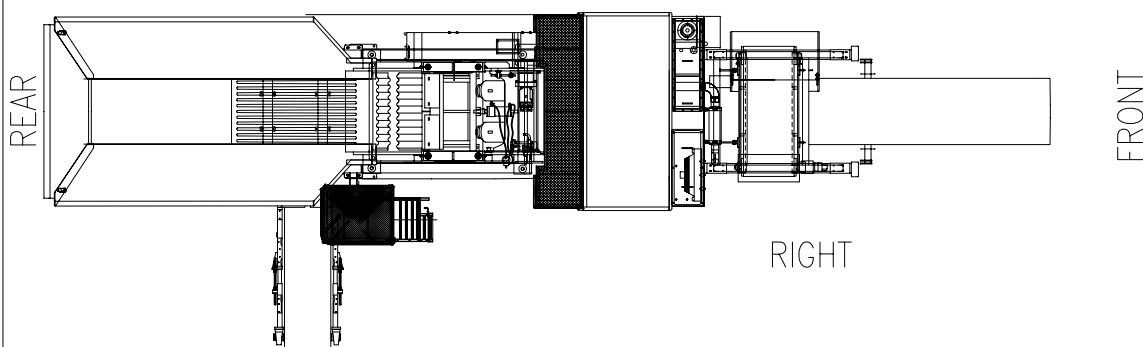


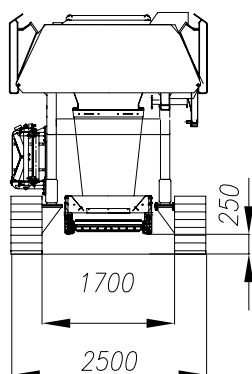
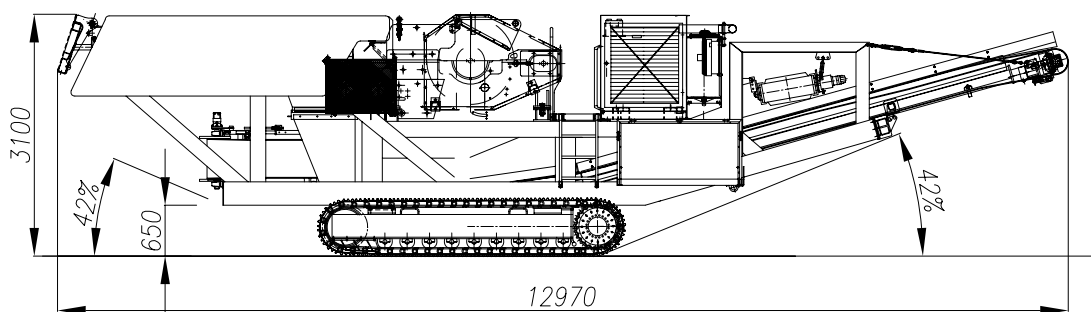
OM CRUSHER ARGO



OVERALL DIMENSIONS LEFT



RIGHT



TRANSPORT DIMENSIONS

10	Control panel
9	Side belt conveyor
8	Magnetic separator
7	Main belt conveyor
6	Jaw Crusher
5	AVL outlet
4	Vibrating feeder
3	Loading hopper
2	Engine unit
1	Crawlers

Description		MODIFICATO			DATA
D	C	A			
00	ZAGO L.	MB	CG		31/01/05
01	DAL BORGIO D.	MB	CG		16/11/05
02	VOLPATO F.	MB	GR		13/04/06
03	DURANTE	MB	CF		06/12/07
04					

COMM. N°	FOLIO N°	SIST. E. DIS. N°	SCALA	DISEGNO N°
PEZZI N°	PIEÙ UNITARIO	SIST. DAL DIS. N°		TK140.AJ.001.EN.03
	kg			

Features not binding. The firm Officine Meccaniche di Ponzano S.p.A. reserves the right to modify them without any prior notice

A. Ferraro di legge si riserva la proprietà di questo disegno con diritto di ripubblicare e di ristampare con qualunque titolo e senza alcuna autorizzazione scritta

OM CRUSHER ARGO

BASIC VERSION			
[°]	Max output	[ton/h]	180
[°]	Min output	[ton/h]	25
<i>N.B.: The output is variable according to feeding material type and CSS</i>			
	Feeding size	[mm]	0/500
	Total weight without optionals	[ton]	31.5
1.01	Feeding	[mm]	3760x920
	Vibrating feeder with grid bars spacing min - max	[mm]	10 - 45
1.02	Feeding self-adjustment		
1.03	Loading hopper (geometric capacity)	[mc]	4
	Cylinder set for hydraulic folding hopper		
1.05	Crushing		
	Jaw crusher with hydraulic management (adjust and realase)		FP105
	Feed opening	[mm]	1000x600
	Close side setting C.S.S.	[mm]	35 - 145
■	Over range electronic setting	[mm]	65 - 145
	Jaw crusher weight	[kg]	11.5
	12Mn2Cr Toothed static jaw, height	[mm]	1100
	12Mn2Cr Toothed swing jaw, height	[mm]	1275
1.07	Main belt conveyor	[m]	0,80x9,46
	Belt width	[mm]	800
	Drums longitudinal centres	[mm]	9446
	Discharge height	[mm]	2500
1.08	Power unit		
	6 - Cylinder oversupplied diesel engine		
	Power at 2400 rpm	[kW]	138
1.09	Crawler		
	Crawler track width	[mm]	400
	Crawler longitudinal centres	[mm]	~ 3200
1.10	Dust suppression system		
1.11	Magnetic separator with mechanical and hydraulic prearrangement		
1.12	Unit control		
	PLC control with LCD screen		
	Non Stop System NSS		
	umbilical control		

OM CRUSHER ARGO

VARIANTS

4.01	12Mn2Cr Flat static jaw		
4.03	Bars grid		
	Spacing min	[mm]	20 - 50
	Spacing max	[mm]	40 - 70
4.04	Punched plate with frame		
	Diamond hole / size - thickness	[mm]	40 - 15
	Diamond hole / size - thickness	[mm]	50 - 15
	Diamond hole / size - thickness	[mm]	70 - 20
4.09	Configuration without fitting magnetic separator		

OM CRUSHER ARGO

OPTIONALS			
7.01	Side belt conveyor	[m]	0,5x4
	Belt width	[mm]	500
	Drums longitudinal centres	[mm]	4000
	Discharge height	[mm]	2000
	Weight	[kg]	500
7.02**	Radio remote control Level 1		
	(Vibrating feeder start/stop; emergency stop button; warning sirene)		
	Weight	[kg]	2
7.03**	Radio remote control Level 2		
	(Vibrating feeder start/stop; tracks control start/stop; emergency stop button; warning sirene; side walls movement)		
	Weight	[kg]	2
7.04*	Stock pile radial conveyor	[m]	0,8x10
	Belt width	[mm]	800
	Drums longitudinal centres	[mm]	10000
	Discharge height	[mm]	4500
	(To complete with 7.05 and 7.06)		
	Weight	[kg]	2670
7.05	Discharge hopper from OM CRUSHER to stock pile radial conveyor		
	Weight	[kg]	117
7.06**	Pump for stock pile radial conveyor		
	Weight	[kg]	70
7.07**	Pump for VV1023 screening unit		
	Weight	[kg]	67
7.08	Automatic greasing system		
	Weight	[kg]	6
7.11	Gasoil filling pump		
	Weight	[kg]	10
7.12	Water pump for dust suppression system		
	Weight	[kg]	22

[°] The output is based on crushing dry calcareous bulk with appropriate size, having specific weight of 1,6 t/m³ and 150 MPa compression strength resistance. Bulk waste material will tend to change considerably the output in relation to its conditioning, size and quantity of metallic components contained.

■ For material having compression strength resistance exceeding 200 MPa the crusher automatically runs in "Over Range" configuration. In this case contact OM Technical Department.

* Components transported separately

** Alternative optionals (cannot be operated simultaneously)

N.B.: Availability of chosen variants and optionals must always be checked up

The specifications are not binding.

Officine Meccaniche di Ponzano Veneto S.p.A. reserves the right to introduce modifications without notice.